

Technical informations

Range of Radiance coating materials

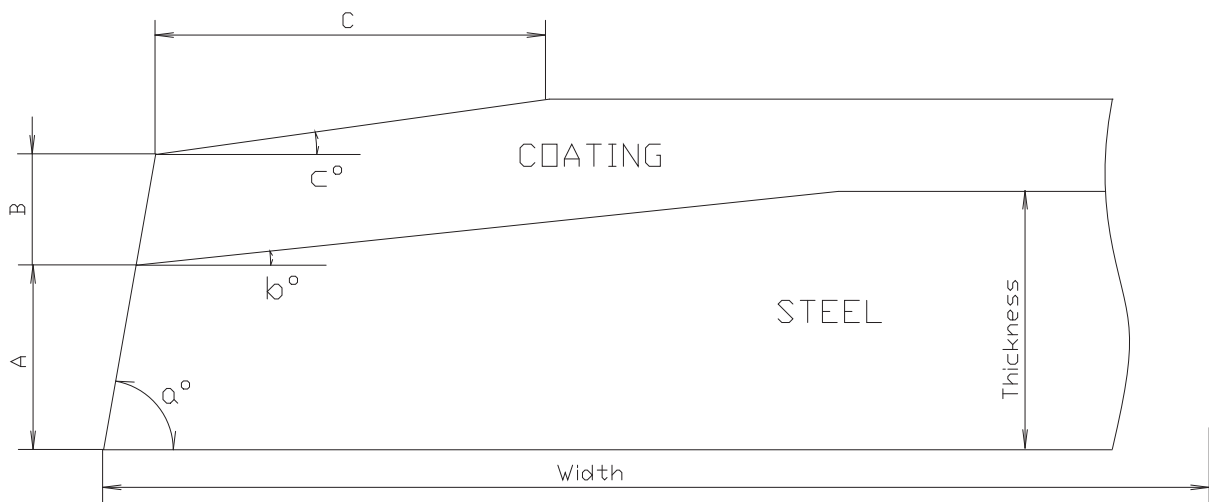
Coating blades



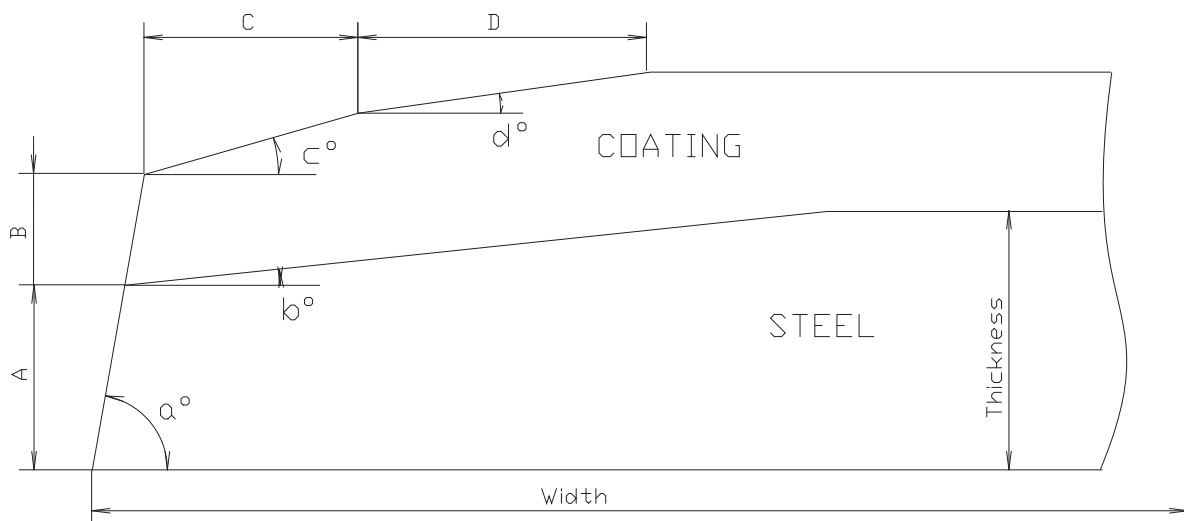
Radiance brand name	Type	Chemical nature	Hardness HV 300	Ductility (1 à 4)
<i>Alfa 2</i>	Carbide	Chromium based	1000	4
<i>Alfa 2.5</i>	Carbide	Tungsten based	1300	2
<i>Alfa 3</i>	Ceramic	Chromium Oxyde	1300	2
<i>Alfa 3.3</i>	Ceramic	Chromium Oxyde based	1200	3

Range of Radiance coating materials





1 bevel: Thickness x Width x c° x C x Length



2 bevels: Thickness x Width x c° / d° x C / D x Length



Coating Blades with 1 & 2 bevels

*Radiance peut fournir les dimensions les plus courantes.
Pour tout autre demande, nous consulter.*

Coating & Creping
Coated Blades for Paper Industries